



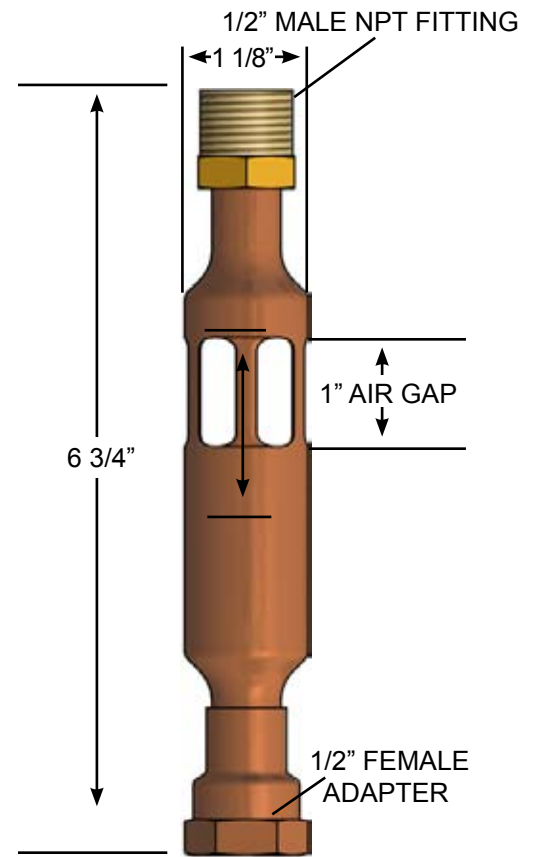
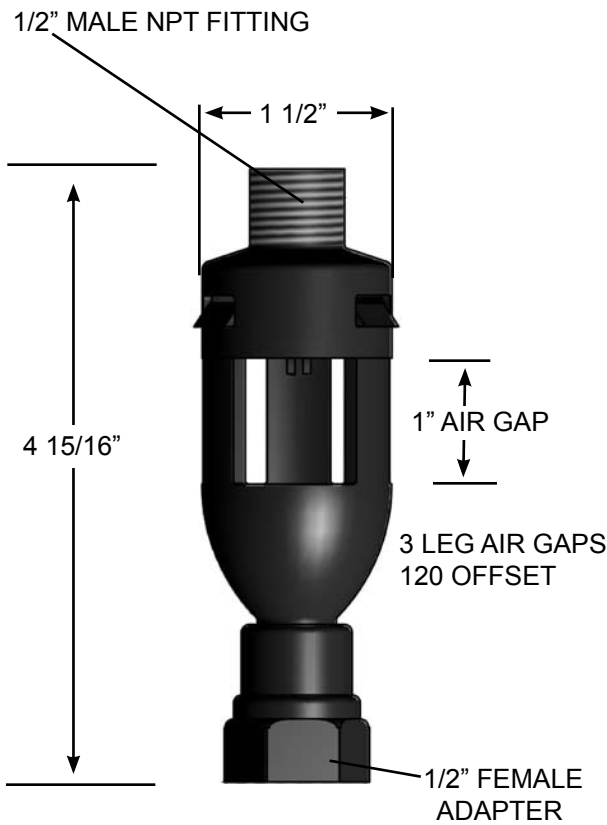
Precision Plumbing Products
"Specify with Confidence - Install with Pride"

**TRAP PRIMER
 AIR GAP**

www.pppinc.net

**AG-500P FITTING
 Composite**

**AG-500 FITTING
 Copper**



ASSEMBLED IN ACCORDANCE WITH ANSI/ASME A112.1.2 AIR GAP IN PLUMBING SYSTEMS STANDARD.

THE AG-500/AG-500P FITTING CAN BE USED WITH:

- | | |
|--------------------|----------------|
| PRIME-RITE | PR-500 |
| P-1 PRIMER | P1-500 |
| P-2 PRIMER | P2-500 |
| DISTRIBUTION UNITS | DU-4, AND DU-U |



Precision Plumbing Products

Division of JL industries, inc.
 Airport Business Center
 6807 NE 79th Court, Suite E
 Portland, Oregon 97218

T (503) 256-4010
 F (503) 253-8165

www.pppinc.net

